

two-piece, »FUTURA« series

Two-piece service units with excellent flow rates in modern design.  
Lockable diaphragm pressure regulator with secondary ventilation, oil can be filled without interrupting operation.

Input pressure	1.5 - 16 bar
Temperature range	-10 °C to 50 °C
Medium	Compressed air, neutral gases
Housing	PA66 GF60
Connecting thread	Material: Die-cast zinc
Filter element	Cellpor (PE)
Filter rating	5 µm
Sight dome	PC
Sealant	NBR
Diaphragms	NBR
Flow rate measurement	At P <sub>1</sub> = 10 bar, P <sub>2</sub> = 6.3 bar and pressure drop Δp = 1 bar

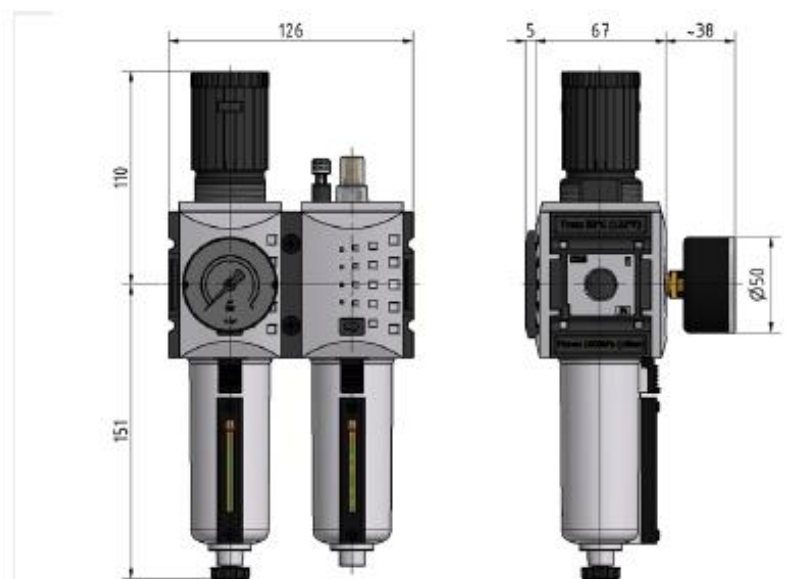
### Service unit, 2-piece with metal bowl, sight glass and pressure gauge

Art. No.	Type No.	Thread	Size	Control range bar	Pressure gauge display bar	Flow rate l/min	Condensate drain
139562	FU 604-M-1	G 1/2	2	0.1 - 1	0 - 1.6	3500	Semi-automatic
139563	FU 604-M-2	G 1/2	2	0.1 - 2	0 - 2.5	3500	Semi-automatic
139564	FU 604-M-4	G 1/2	2	0.2 - 4	0 - 6	3500	Semi-automatic
139565	FU 604-M	G 1/2	2	0.5 - 8	0 - 10	3500	Semi-automatic
139566	FU 604-M-10	G 1/2	2	0.5 - 10	0 - 16	3500	Semi-automatic
139567	FU 604-M-16	G 1/2	2	0.5 - 16	0 - 25	3500	Semi-automatic
152436	FU 614-M-1	G 1/2	2	0.1 - 1	0 - 1.6	3500	Fully-automatic
152437	FU 614-M-2	G 1/2	2	0.1 - 2	0 - 2.5	3500	Fully-automatic
152438	FU 614-M-4	G 1/2	2	0.2 - 4	0 - 6	3500	Fully-automatic
152439	FU 614-M	G 1/2	2	0.5 - 8	0 - 10	3500	Fully-automatic
152440	FU 614-M-10	G 1/2	2	0.5 - 10	0 - 16	3500	Fully-automatic
152441	FU 614-M-16	G 1/2	2	0.5 - 16	0 - 25	3500	Fully-automatic

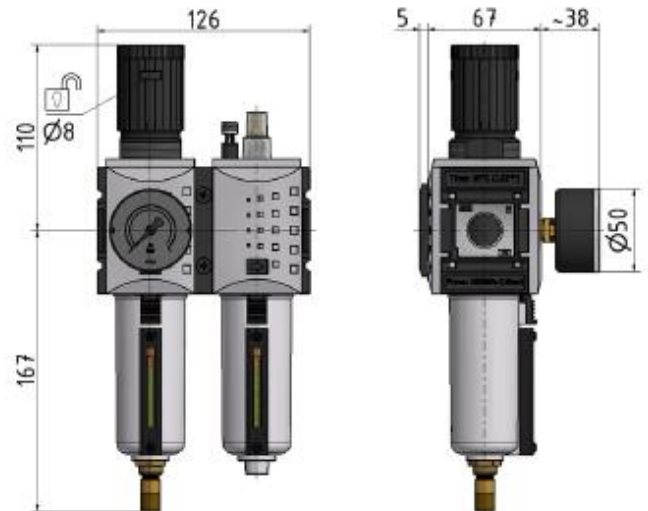
**Accessories / spare parts**

Art. No.	Type No.	Description
100043	H 852	Mounting bracket, incl. 2 screws
100044	WK 102	Wall bracket, incl. 2 screws
100045	KP 200	Joiner set, incl. 2 screws
100135	BSF 12	Polycarbonate bowl, incl. bowl guard
100215	BSL 12	Polycarbonate bowl, incl. bowl guard for oiler
100136	MF 12	Metal bowl, incl. sight glass
100216	ML 12	Metal bowl, incl. sight glass for oiler
100137	BSF 12-A	Polycarbonate bowl with automatic drain valve
100138	MF 12-A	Metal bowl, incl. sight glass, with automatic drain valve
100046	FU 33-55	Panel nut M42x1.5
100037	SS 32	Key lock
100331	WK 102-38	Wall bracket with connection thread G 3/8
100332	WK 102-12	Wall bracket with connection thread G 1/2
100333	WK 102-34	Wall bracket with connection thread G 3/4
152946	H 853	Mounting bracket with control panel nut M42x1.5
100139	844.6.905	Filter element 5 µm, cellpor
100214	901.7.990	Sight dome, polycarbonate
100047	22.7180.4	Seal kit for pressure regulator
100362	655.6.900	Automatic drain valve

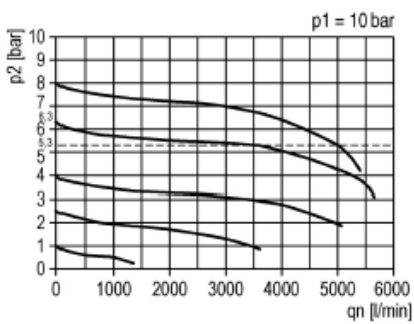
**Semi-automatic:**



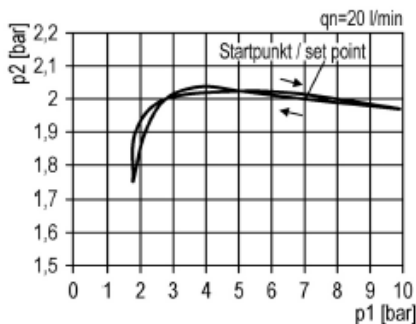
Fully-automatic:



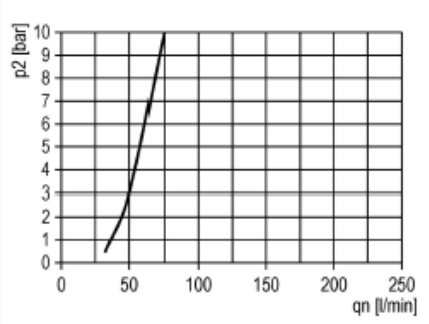
flow characteristic



pressure characteristic



lubricator operating limit



symbol

